

# Programmes After Market Services NPM-5 Series Transceivers

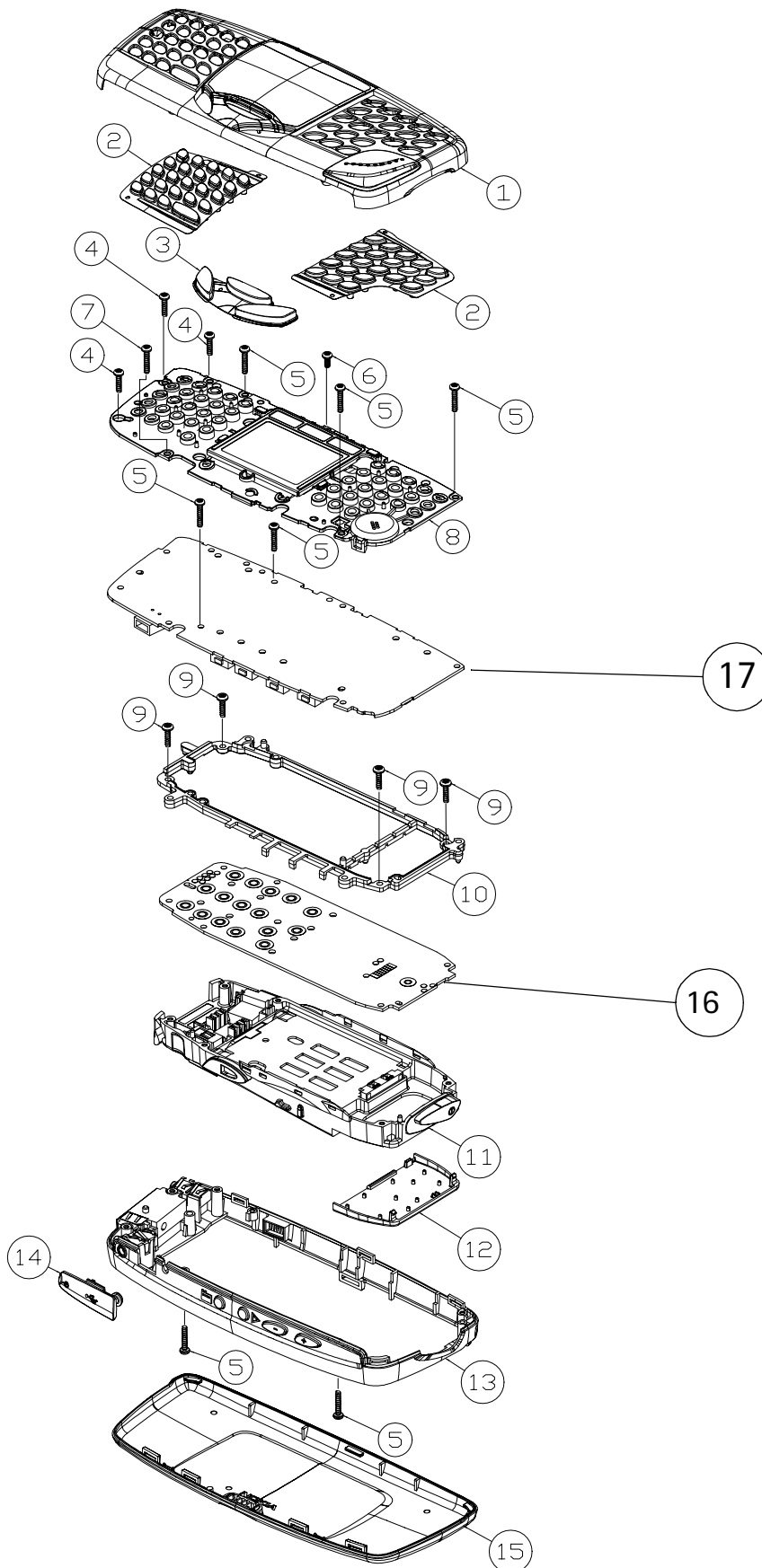
## Mechanical Assembly

[This page left intentionally blank]

Table of Contents

|                              | <b>Page No</b> |
|------------------------------|----------------|
| Exploded View of NMP-5 ..... | 4              |
| Mechanical Parts List.....   | 5              |

## Exploded View of NMP-5



## Mechanical Parts List

**Table 1: Mechanical parts**

| Item no. | Amount | Code    | Description                             | ID       |
|----------|--------|---------|---|----------|
| 1- I001  |        | 9458349 | A-cover assembly, tile red              | DMC04091 |
| 1- I001  |        | 9458350 | A-cover assembly, retro blue            | DMC04091 |
| 1- I001  |        | 9458351 | A-cover assembly, Asia blue             | DMC04091 |
| 2- I002  | 1      | Varia   | Keymat, left and right, ref table below | DMC04526 |
| 3 - I003 | 1      | 9790592 | Keymat, middle                          | DMC04521 |
| 4 - I004 | 3      | 6290107 | Screw M1.8x7.0Fe T6+ blk                | DMD05791 |
| 5 - I005 | 7      | 6290109 | Screw Remform M.8x9                     | DMD06866 |
| 6 - I006 | 1      | 6190023 | Machine Screw M1.6x4                    | DMD02852 |
| 7- I007  | 1      | 6190135 | Screw Remform N1.8x9                    | DMD08802 |
| 8- I008  | 1      | 4850219 | LCD assembly                            | DMC04095 |
| 9 - I009 | 4      | 6290133 | Screw Remform M1.8x7                    | DMD08801 |
| 10 -I010 | 1      | 9460442 | Spacer frame                            | DMD07721 |
| 11 -I009 | 1      | 9467079 | D-cover assembly                        | DMD07721 |
| 12 -I012 | 1      | 0660237 | Antenna assembly                        | DMC02561 |
| 13- I013 | 1      | 9490478 | B-cover assembly                        | DMC04097 |
| 14- I014 | 1      | 9452286 | Port cover                              | DMD07716 |
| 15 -I015 | 1      | 9490480 | C-cover assembly                        | DMC04100 |
| 16 -I014 | 1      | 9490480 | UIF module MA4                          |          |
| 17 -I015 | 1      | 9490480 | CMT module MU4                          |          |

**Table 2: Keymat codes**

| Item no. | Code    | Description  |
|----------|---------|--|
| 2- I002  | 9790593 | Keymat left and right, common english (EN)             |
| 2- I002  | 9790596 | Keymat left and right, Czech (CS)                      |
| 2- I002  | 9790599 | Keymat left and right, French (FR)                     |
| 2- I002  | 9790602 | Keymat left and right, German (DE)                     |
| 2- I002  | 9790605 | Keymat left and right, Greek (EL)                      |
| 2- I002  | 9790608 | Keymat left and right, Hungarian (HU)                  |
| 2- I002  | 9790611 | Keymat left and right, Polish (PL)                     |
| 2- I002  | 9790614 | Keymat left and right, Russian (RU)                    |
| 2- I002  | 9790617 | Keymat left and right, Scandinavian                    |
| 2- I002  | 9790620 | Keymat left and right, Spanish-Portuguese-Italian (ES) |
| 2- I002  | 9790623 | Keymat left and right, Turkish (TR)                    |
| 2- I002  | 9790626 | Keymat left and right, Slovene-Croatian-Serbian (SL)   |
| 2- I002  | 9790629 | Keymat left and right, Chinese (simplified)(CP)        |
| 2- I002  | 9790632 | Keymat left and right, Chinese (traditional) (CB)      |

[This page left intentionally blank]